

Finestra 6036 RH Whirlpool



Product Codes beginning with: F4N6036WRL, F7N6036WRL

Also applies to products sold under part numbers: EU65, KG15, KG20, KG25, KG30, KG35, KG40, KG45, EY55, KJ15, KJ20, KJ25, KJ30, KJ35, KJ40, KJ45

TECHNICAL SPECIFICATIONS

	English	Metric
Outer Dimensions	60" L x 36" W x 38 1/2" H	1524 mm L x 914 mm W x 978 mm H
Interior Dimensions (bottom of bath) L x W (Mid) x W (End)	26 1/2" L x 23" W x 23" W	673 mm L x 584 mm W x 584 mm W
Drain/Pump Configuration	Right hand drain/Left end pump	Right hand drain/Left end pump
Bath Weight (empty)	290 lbs	132 kg
Total Weight/Floor Loading	1,598 lbs 106.5 lbs/ft ²	726 kg 520 kg/m ²
Operating Gallonage (min-max)	108 (min) 127 (max) U.S. Gals	409 (min) 481 (max) L
Electrical Specifications	Each component requires a separate, dedicated GCFI protected circuit(s)	
Motor/Pump	120V 20A 60HZ	
Heater	120V 15A 60HZ	

FEATURES, UPGRADES & ACCESSORIES

Material Type: High-Gloss Acrylic

Install Type: Walk-in, Skirted

Available Colors: White (W), Almond (A), Oyster (Y)

Standard (Included) Features:

10 jets, In-line Heater, Chromatherapy lighting,
14" or 17" seat, grab bar, chrome rotary drain

Available Control Systems:

J4 Luxury Control Panel (standard)

J5 Luxury LCD Control Panel

Available Upgrades:

Whisper Quiet Technology,

Illumatherapy Lighting

Available Accessories:

BN21 Finestra Drain Trim Kit (specify metal finish)

GU44 TheraPro Jet Trim Kit (specify metal finish)

GU45 AccuPro Jet Trim Kit (specify metal finish)

827: Chrome, 826: Brushed Nickel, 845: Oil Rubbed Bronze

*GU44 Note: (Chrome) is standard on Illumatherapy jets.

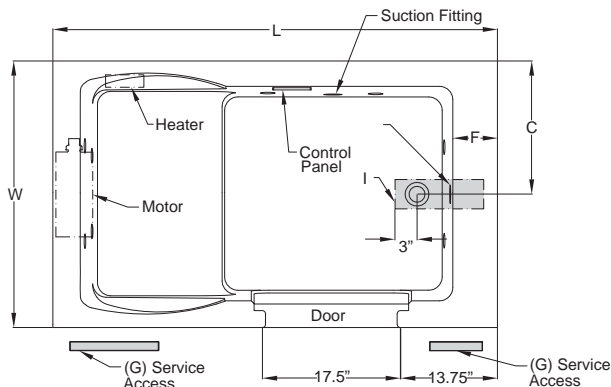
5817000 Tile Flange Kit

EK91 21" Straight Pillow (specify color) 959: White, 958: Almond,

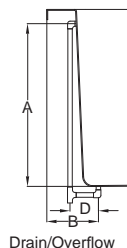
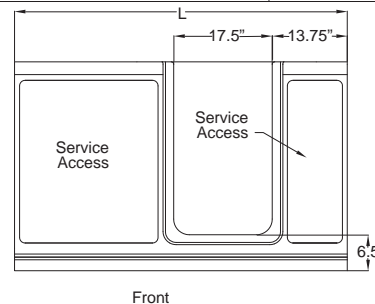
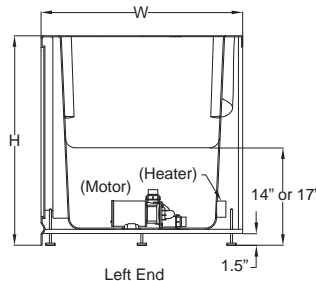
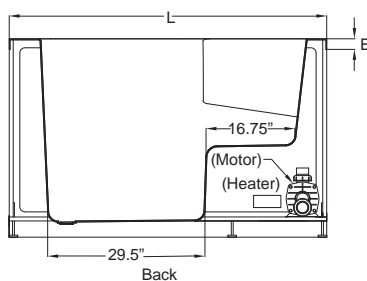
969: Oyster

GQ88 Light Chromatherapy Add-on Kit

KEY DIMENSIONS



Letter	Description	English	Metric
L	Outer Length	60"	1524 mm
W	Outer Width	36"	914 mm
H	Overall Height	38 1/2"	978 mm
A	Overflow Height	31 1/2"	800 mm
B	Long Edge to Drain Center	11 11/16"	297 mm
C	Short Edge to Drain Center	18"	457 mm
D	Drain Shoe Length	8 7/8"	224 mm
E	Deck Height	2"	51 mm
F	Deck Width*	5"	127 mm
G	Service Access Dimensions	12" H x 18" L	305 mm x 457 mm
I	Floor Cut-out for Drain	12" x 4"	305 mm x 102 mm



NOTE: Graphics May Not be to Scale

© 2010 Jacuzzi Luxury Bath • For additional information call Customer Service 800-288-4002 • www.jacuzzi.com/technicalspecs

Refer to installation instructions included with fixture before beginning installation. Please confirm product availability and specifications before commencing with any installation work.

PRODUCT SPECIFICATIONS AND AVAILABILITY ARE SUBJECT TO CHANGE WITHOUT NOTICE.

HD20000/HD24000 REL 03/10